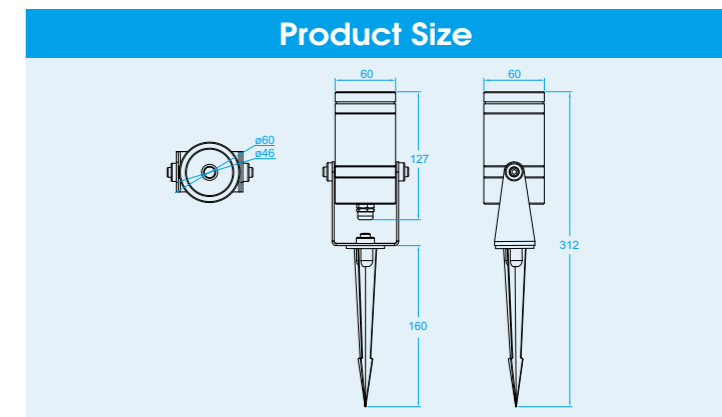


LED 投射灯

LED Landscape spot light

Application

Application to tunnels, stations, airports, shopping malls, billboards, railway stations, public areas, industrial area, indoor parking lighting.

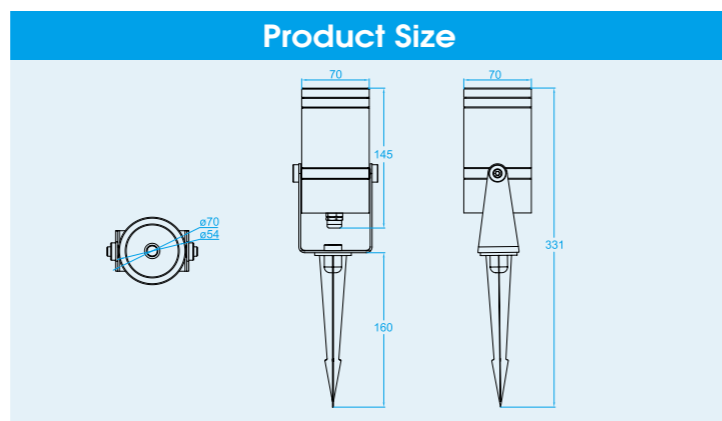


Specification

Model No.:	RS-LS9W60(88431) / RS-LS12W60(88431)
Front cover & Housing:	Aluminum body
Dimensions:	D60*H312mm(Max.); D60*H127mm(Min.)
Tempered Glass:	3mm thickness
LED chip:	Cree
LED Q'ty:	1pc 9W LED / 1pc 12W LED
Cable gland:	Nickel plated brass PG9
Driver:	Constant current driver
Lens:	Reflector
Beam Angle Options:	15° 24° 38°
Power Cable:	2*1.0mm ² / 3*0.75mm ² / 4*0.75mm ² / 2*1.0+3*0.5mm ² VDE rubber cable
Protection Class:	IP65
Environment:	Dry
Mounting Hardware:	Wall, ceiling, floor, pole mounting
Net Weight:	0.85kgs with 1m cable
Lifetime:	>50000H

Order information

Item code	Color	Light source(w)	Line Way	Input Voltage (v)	Operating current (mA)	Consumption (w)	Luminous flux (lm)
88431.091.01	2700-3000K	1*9	L/N/G	AC90-230	40-80	9	990
88431.091.02	4000-4500K	1*9	L/N/G	AC90-230	40-80	9	1035
88431.091.03	5000-5500K	1*9	L/N/G	AC90-230	40-80	9	1080
88431.121.01	2700-3000K	1*12	L/N/G	AC90-230	54-109	12	1320
88431.121.02	4000-4500K	1*12	L/N/G	AC90-230	54-109	12	1380
88431.121.03	5000-5500K	1*12	L/N/G	AC90-230	54-109	12	1440

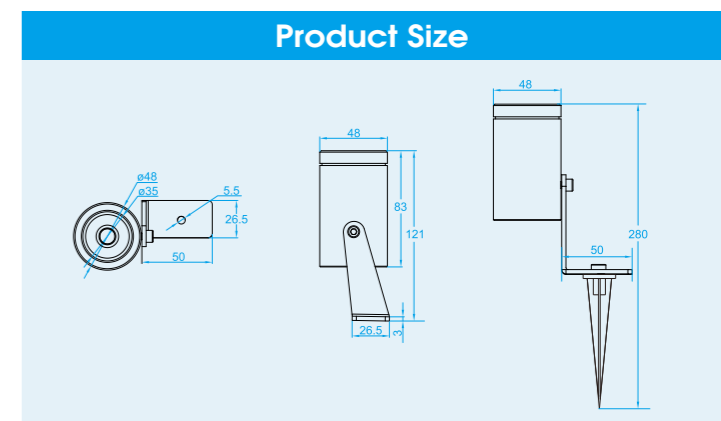


Specification

Model No.:	RS-LS24W70(88438)
Front cover & Housing:	Aluminum body
Dimensions:	D70*H331mm(Max.); D70*H145mm(Min.)
Tempered Glass:	3mm thickness
LED chip:	Cree
LED Q'ty:	1pc 24W LED
Cable gland:	Nickel plated brass PG9
Driver:	Constant current driver
Lens:	Reflector
Beam Angle Options:	15° 24° 38°
Power Cable:	3*0.75mm ² / 5*0.75mm ² / 2*1.0+3*0.5mm ² VDE rubber cable
Protection Class:	IP65
Environment:	Dry
Mounting Hardware:	Wall, ceiling, floor, pole mounting
Net Weight:	1.2kgs with 1m cable
Lifetime:	>50000H

Order information

Item code	Color	Light source(w)	Line Way	Input Voltage (v)	Operating current (mA)	Consumption (w)	Luminous flux (lm)
88438.241.01	2700-3000K	1*24	L/N/G	AC90-230	109-218	24	2640
88438.241.02	4000-4500K	1*24	L/N/G	AC90-230	109-218	24	2760
88438.241.03	5000-5500K	1*24	L/N/G	AC90-230	109-218	24	2880
88438.241.09	6000K; RGBW-DMX512 (4 channel)	1*24	V+ /V- /D+ /D- /GND	DC24	R: 250 G: 250 B: 250 W: 250	R: 6 G: 6 B: 6 W: 6	R: 150 G: 360 B: 180 W: 540
88438.241.12	6000K; RGBWV+ (build-in CC driver)	1*24	R/G/B/W/V+	DC24	R: 250 G: 250 B: 250 W: 250	R: 6 G: 6 B: 6 W: 6	R: 150 G: 360 B: 180 W: 540



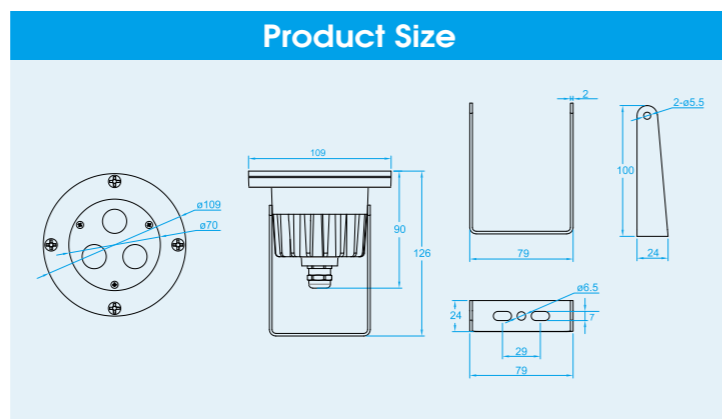
Specification

Model No.:	RS-LS3W48(88432) / RS-LS6W48(88432)
Front cover & Housing:	Aluminum body
Dimensions:	D48*H280mm(Max.); D48*H121mm(Min.)
Tempered Glass:	3mm thickness
LED chip:	Cree
LED Q'ty:	1pc 3W LED /1pc 6W LED
Cable gland:	Nickel plated brass PG9
Driver:	Constant current driver
Lens:	Reflector
Beam Angle Options:	15° 24° 38°
Power Cable:	3*0.75mm ² VDE rubber cable
Protection Class:	IP65
Environment:	Dry
Mounting Hardware:	Wall, ceiling, floor, pole mounting
Net Weight:	0.6kgs with 1m cable
Lifetime:	>50000H

Order information

Item code	Color	Light source(w)	Line Way	Input Voltage (v)	Operating current (mA)	Consumption (w)	Luminous flux (lm)
88432.031.01	2700-3000K	1*3	L/N/G	AC90-230	13-26	3	330
88432.031.02	4000-4500K	1*3	L/N/G	AC90-230	13-26	3	345
88432.031.03	5000-5500K	1*3	L/N/G	AC90-230	13-26	3	360
88432.061.01	2700-3000K	1*6	L/N/G	AC90-230	27-54	6	660
88432.061.02	4000-4500K	1*6	L/N/G	AC90-230	27-54	6	690
88432.061.03	5000-5500K	1*6	L/N/G	AC90-230	27-54	6	720



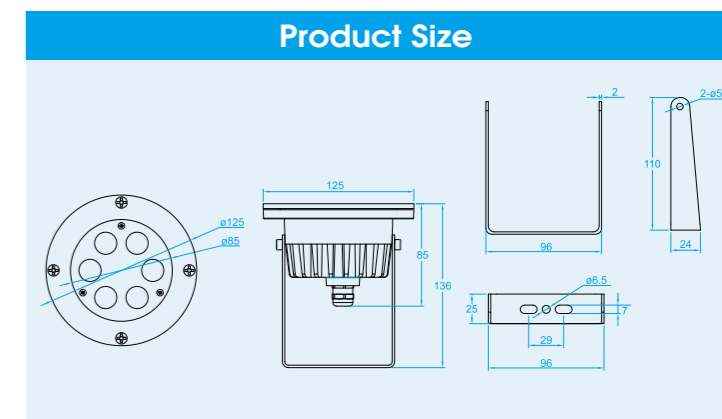


Specification

Model No.:	RS-LS3W(88422)
Front cover & Housing:	Aluminum body
Dimensions:	D109*H126mm
Tempered Glass:	8mm thickness
LED chip:	Epistar
LED Q'ty:	3pcs 1W LED
Cable gland:	Nickel plated brass PG9
Driver:	Constant current driver
Lens:	Clear, Bead, Frosted
Beam Angle Options:	10° 30° 45° 60° 90°
Power Cable:	2*1.0mm ² / 3*0.75mm ² / 4*0.75mm ² / 2*1.0+3*0.5mm ² VDE rubber cable
Protection Class:	IP65
Environment:	Dry
Mounting Hardware:	Wall, ceiling, floor, pole mounting
Net Weight:	0.65kgs with 1m cable
Lifetime:	>50000H

Order information

Item code	Color	Light source(w)	Line Way	Input Voltage (v)	Operating current (mA)	Consumption (w)	Luminous flux (lm)
88422.031.01	2700-3000K	3*1	V+/V- or L/N/G	AC/DC12-24, AC90-230	250 / 125 / 13-17	3	270
88422.031.02	4000-4500K	3*1	V+/V- or L/N/G	AC/DC12-24, AC90-230	250 / 125 / 13-17	3	285
88422.031.03	5000-5500K	3*1	V+/V- or L/N/G	AC/DC12-24, AC90-230	250 / 125 / 13-17	3	300
88422.031.04	6000-6500K	3*1	V+/V- or L/N/G	AC/DC12-24, AC90-230	250 / 125 / 13-17	3	300
88422.031.05	Red	3*1	V+/V- or L/N/G	AC/DC12-24, AC90-230	250 / 125 / 13-17	3	75
88422.031.06	Green	3*1	V+/V- or L/N/G	AC/DC12-24, AC90-230	250 / 125 / 13-17	3	180
88422.031.07	Blue	3*1	V+/V- or L/N/G	AC/DC12-24, AC90-230	250 / 125 / 13-17	3	90
88422.031.08	Yellow	3*1	V+/V- or L/N/G	AC/DC12-24, AC90-230	250 / 125 / 13-17	3	210
88422.031.09	RGB-DMX512 (3 channel)	3*1	V+/V- /D+/D-/GND	AC/DC12	R: 83 G: 83 B: 83	R: 1 G: 1 B: 1	R: 25 G: 60 B: 30
88422.031.10	Auto changing color	3*1	V+/V-	AC12	R: 83 G: 83 B: 83	R: 1 G: 1 B: 1	R: 25 G: 60 B: 30
88422.031.12	RGBV+ (build-in CC driver)	3*1	R/G/B/V+	DC12	R: 83 G: 83 B: 83	R: 1 G: 1 B: 1	R: 25 G: 60 B: 30



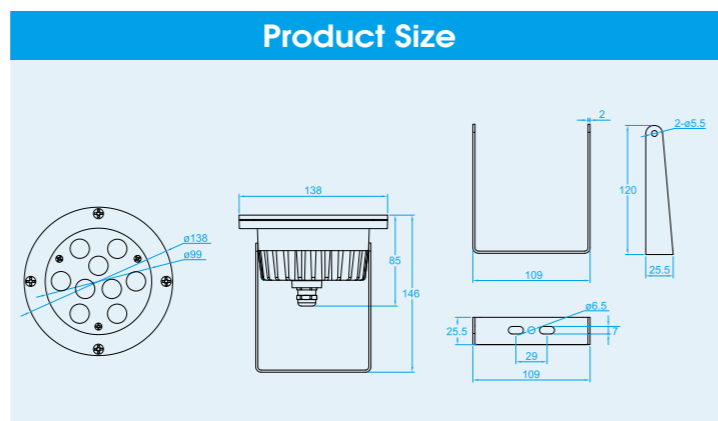
Specification

Model No.:	RS-LS6W(88423)
Front cover & Housing:	Aluminum body
Dimensions:	D125*H136mm
Tempered Glass:	8mm thickness
LED chip:	Cree
LED Q'ty:	6pcs 1W LED
Cable gland:	Nickel plated brass PG9
Driver:	Constant current driver
Lens:	Clear, Bead, Frosted
Beam Angle Options:	10° 30° 45° 60° 90°
Power Cable:	2*1.0mm ² / 3*0.75mm ² / 4*0.75mm ² / 2*1.0+3*0.5mm ² VDE rubber cable
Protection Class:	IP65
Environment:	Dry
Mounting Hardware:	Wall, ceiling, floor, pole mounting
Net Weight:	1kgs with 1m cable
Lifetime:	>50000H

Order information

Item code	Color	Light source(w)	Line Way	Input Voltage (v)	Operating current (mA)	Consumption (w)	Luminous flux (lm)
88423.061.01	2700-3000K	6*1	V+/V- or L/N/G	AC/DC12-24, AC90-230	500 / 250 / 27-54	6	540
88423.061.02	4000-4500K	6*1	V+/V- or L/N/G	AC/DC12-24, AC90-230	500 / 250 / 27-54	6	570
88423.061.03	5000-5500K	6*1	V+/V- or L/N/G	AC/DC12-24, AC90-230	500 / 250 / 27-54	6	600
88423.061.04	6000-6500K	6*1	V+/V- or L/N/G	AC/DC12-24, AC90-230	500 / 250 / 27-54	6	600
88423.061.05	Red	6*1	V+/V- or L/N/G	AC/DC12-24, AC90-230	500 / 250 / 27-54	6	150
88423.061.06	Green	6*1	V+/V- or L/N/G	AC/DC12-24, AC90-230	500 / 250 / 27-54	6	360
88423.061.07	Blue	6*1	V+/V- or L/N/G	AC/DC12-24, AC90-230	500 / 250 / 27-54	6	180
88423.061.08	Yellow	6*1	V+/V- or L/N/G	AC/DC12-24, AC90-230	500 / 250 / 27-54	6	420
88423.061.09	RGB-DMX512 (3 channel)	6*1	V+/V- /D+/D-/GND	AC/DC12	R: 166 G: 166 B: 166	R: 2 G: 2 B: 2	R: 50 G: 120 B: 60
88423.061.10	Auto changing color	6*1	V+/V-	AC12	R: 166 G: 166 B: 166	R: 2 G: 2 B: 2	R: 50 G: 120 B: 60
88423.061.12	RGBV+ (build-in CC driver)	6*1	R/G/B/V+	DC12-24	R: 166 / 83 G: 166 / 83 B: 166 / 83	R: 2 G: 2 B: 2	R: 50 G: 120 B: 60



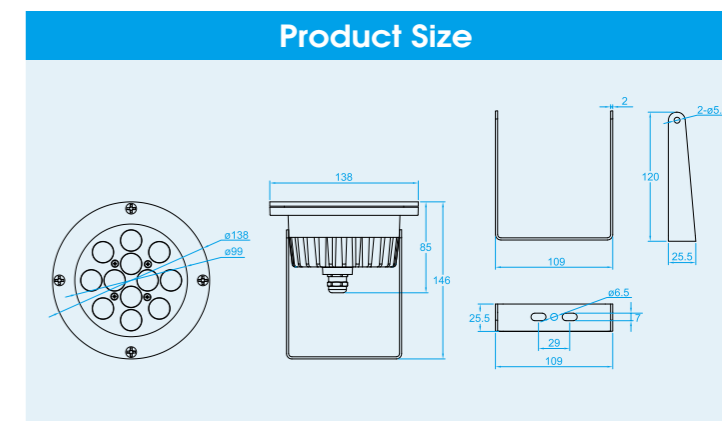


Specification

Model No.:	RS-LS9W(88424)
Front cover & Housing:	Aluminum body
Dimensions:	D138*H146mm
Tempered Glass:	8mm thickness
LED chip:	Epistar
LED Q'ty:	9pcs 1W LED
Cable gland:	Nickel plated brass PG9
Driver:	Constant current driver
Lens:	Clear, Bead, Frosted
Beam Angle Options:	10° 30° 45° 60° 90°
Power Cable:	2*1.0mm ² / 3*0.75mm ² / 4*0.75mm ² / 2*1.0+3*0.5mm ² VDE rubber cable
Protection Class:	IP65
Environment:	Dry
Mounting Hardware:	Wall, ceiling, floor, pole mounting
Net Weight:	1kgs with 1m cable
Lifetime:	>50000H

Order information

Item code	Color	Light source(w)	Line Way	Input Voltage (v)	Operating current (mA)	Consumption (w)	Luminous flux (lm)
88424.091.01	2700-3000K	9*1	V+/V- or L/N/G	AC/DC12-24, AC90-230	750 / 375 / 40-48	9	810
88424.091.02	4000-4500K	9*1	V+/V- or L/N/G	AC/DC12-24, AC90-230	750 / 375 / 40-48	9	855
88424.091.03	5000-5500K	9*1	V+/V- or L/N/G	AC/DC12-24, AC90-230	750 / 375 / 40-48	9	900
88424.091.04	6000-6500K	9*1	V+/V- or L/N/G	AC/DC12-24, AC90-230	750 / 375 / 40-48	9	900
88424.091.05	Red	9*1	V+/V- or L/N/G	AC/DC12-24, AC90-230	750 / 375 / 40-48	9	225
88424.091.06	Green	9*1	V+/V- or L/N/G	AC/DC12-24, AC90-230	750 / 375 / 40-48	9	540
88424.091.07	Blue	9*1	V+/V- or L/N/G	AC/DC12-24, AC90-230	750 / 375 / 40-48	9	270
88424.091.08	Yellow	9*1	V+/V- or L/N/G	AC/DC12-24, AC90-230	750 / 375 / 40-48	9	630
88424.091.09	RGB-DMX512 (3 channel)	9*1	V+/V- /D+/D-/GND	AC/DC12	R: 250 G: 250 B: 250	R: 3 G: 3 B: 3	R: 75 G: 180 B: 90
88424.091.10	Auto changing color	9*1	V+/V-	AC12	R: 250 G: 250 B: 250	R: 3 G: 3 B: 3	R: 75 G: 180 B: 90
88424.091.12	RGBV+ (build-in CC driver)	9*1	R/G/B/V+	DC12	R: 250 G: 250 B: 250	R: 3 G: 3 B: 3	R: 75 G: 180 B: 90



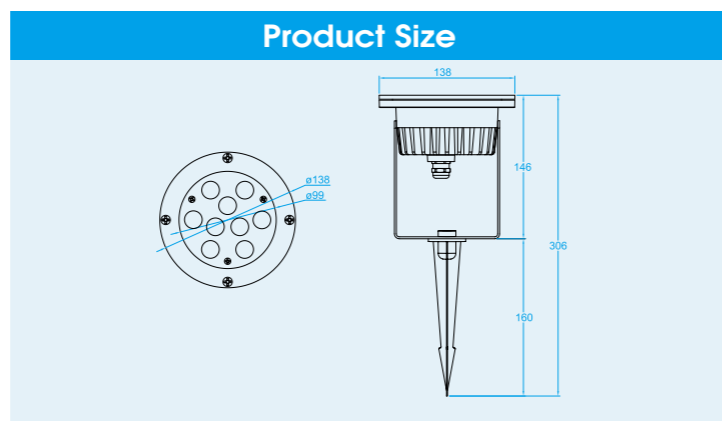
Specification

Model No.:	RS-LS12W(88425)
Front cover & Housing:	Aluminum body
Dimensions:	D138*H146mm
Tempered Glass:	8mm thickness
LED chip:	Cree
LED Q'ty:	12pcs 1W LED
Cable gland:	Nickel plated brass PG9
Driver:	Constant current driver
Lens:	Clear, Bead, Frosted
Beam Angle Options:	10° 30° 45° 60° 90°
Power Cable:	2*1.0mm ² / 3*0.75mm ² / 4*0.75mm ² / 2*1.0+3*0.5mm ² VDE rubber cable
Protection Class:	IP65
Environment:	Dry
Mounting Hardware:	Wall, ceiling, floor, pole mounting
Net Weight:	1kgs with 1m cable
Lifetime:	>50000H

Order information

Item code	Color	Light source(w)	Line Way	Input Voltage (v)	Operating current (mA)	Consumption (w)	Luminous flux (lm)
88425.121.01	2700-3000K	12*1	V+/V- or L/N/G	DC24, AC90-230	1000 / 54-108	12	1080
88425.121.02	4000-4500K	12*1	V+/V- or L/N/G	DC24, AC90-230	1000 / 54-108	12	1140
88425.121.03	5000-5500K	12*1	V+/V- or L/N/G	DC24, AC90-230	1000 / 54-108	12	1200
88425.121.04	6000-6500K	12*1	V+/V- or L/N/G	DC24, AC90-230	1000 / 54-108	12	1200
88425.121.05	Red	12*1	V+/V- or L/N/G	DC24, AC90-230	1000 / 54-108	12	300
88425.121.06	Green	12*1	V+/V- or L/N/G	DC24, AC90-230	1000 / 54-108	12	720
88425.121.07	Blue	12*1	V+/V- or L/N/G	DC24, AC90-230	1000 / 54-108	12	360
88425.121.08	Yellow	12*1	V+/V- or L/N/G	DC24, AC90-230	1000 / 54-108	12	840
88425.121.09	RGB-DMX512 (3 channel)	12*1	V+/V- /D+/D-/GND	DC24	R: 166 G: 166 B: 166	R: 4 G: 4 B: 4	R: 100 G: 240 B: 120
88425.121.10	Auto changing color	12*1	V+/V-	AC12-24	R: 333 / 166 B: 333 / 166	G: 333 / 166	R: 100 G: 240 B: 120
88425.121.12	RGBV+ (build-in CC driver)	12*1	R/G/B/V+	DC24	R: 166 G: 166 B: 166	R: 4 G: 4 B: 4	R: 100 G: 240 B: 120



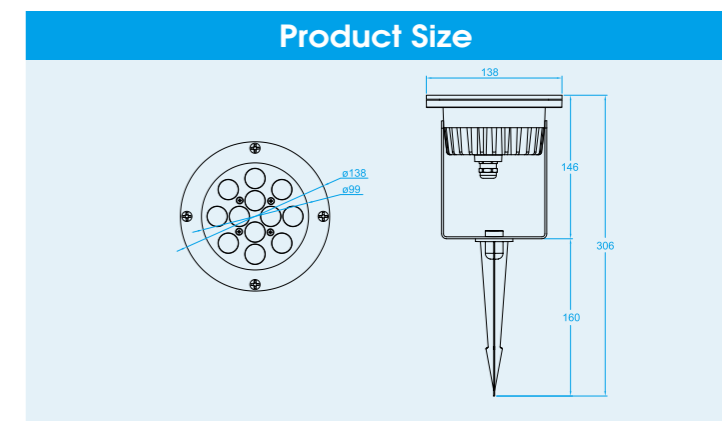


Specification

Model No.:	RS-GS9W(88428)
Front cover & Housing:	Aluminum body
Dimensions:	D138*H306mm
Tempered Glass:	8mm thickness
LED chip:	Epistar
LED Q'ty:	9pcs 1W LED
Cable gland:	Nickel plated brass PG9
Driver:	Constant current driver
Lens:	Clear, Bead, Frosted
Beam Angle Options:	10° 30° 45° 60° 90°
Power Cable:	2*1.0mm ² / 3*0.75mm ² / 4*0.75mm ² / 2*1.0+3*0.5mm ² VDE rubber cable
Protection Class:	IP65
Environment:	Dry
Mounting Hardware:	Floor
Net Weight:	1.05kgs with 1m cable
Lifetime:	>50000H

Order information

Item code	Color	Light source(w)	Line Way	Input Voltage (v)	Operating current (mA)	Consumption (w)	Luminous flux (lm)
88428.091.01	2700-3000K	9*1	V+/V- or L/N/G	AC/DC12-24, AC90-230	750 / 375 / 40-48	9	810
88428.091.02	4000-4500K	9*1	V+/V- or L/N/G	AC/DC12-24, AC90-230	750 / 375 / 40-48	9	855
88428.091.03	5000-5500K	9*1	V+/V- or L/N/G	AC/DC12-24, AC90-230	750 / 375 / 40-48	9	900
88428.091.04	6000-6500K	9*1	V+/V- or L/N/G	AC/DC12-24, AC90-230	750 / 375 / 40-48	9	900
88428.091.05	Red	9*1	V+/V- or L/N/G	AC/DC12-24, AC90-230	750 / 375 / 40-48	9	225
88428.091.06	Green	9*1	V+/V- or L/N/G	AC/DC12-24, AC90-230	750 / 375 / 40-48	9	540
88428.091.07	Blue	9*1	V+/V- or L/N/G	AC/DC12-24, AC90-230	750 / 375 / 40-48	9	270
88428.091.08	Yellow	9*1	V+/V- or L/N/G	AC/DC12-24, AC90-230	750 / 375 / 40-48	9	630
88428.091.09	RGB-DMX512 (3 channel)	9*1	V+/V- /D+/D-/GND	AC/DC12	R: 250 G: 250 B: 250	R: 3 G: 3 B: 3	R: 75 G: 180 B: 90
88428.091.10	Auto changing color	9*1	V+/V-	AC12	R: 250 G: 250 B: 250	R: 3 G: 3 B: 3	R: 75 G: 180 B: 90
88428.091.12	RGBV+ (build-in CC driver)	9*1	R/G/B/V+	DC12	R: 250 G: 250 B: 250	R: 3 G: 3 B: 3	R: 75 G: 180 B: 90



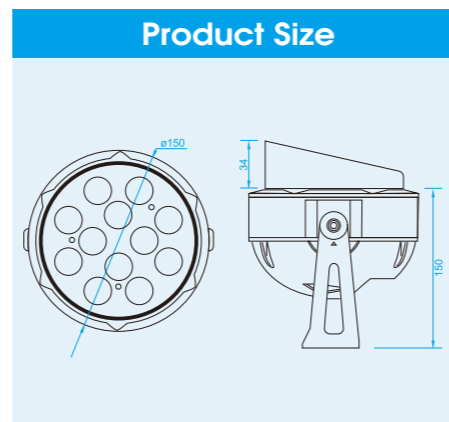
Specification

Model No.:	RS-GS12W(88429)
Front cover & Housing:	Aluminum body
Dimensions:	D138*H306mm
Tempered Glass:	8mm thickness
LED chip:	Cree
LED Q'ty:	12pcs 1W LED
Cable gland:	Nickel plated brass PG9
Driver:	Constant current driver
Lens:	Clear, Bead, Frosted
Beam Angle Options:	10° 30° 45° 60° 90°
Power Cable:	2*1.0mm ² / 3*0.75mm ² / 4*0.75mm ² / 2*1.0+3*0.5mm ² VDE rubber cable
Protection Class:	IP65
Environment:	Dry
Mounting Hardware:	Floor
Net Weight:	1.05kgs with 1m cable
Lifetime:	>50000H

Order information

Item code	Color	Light source(w)	Line Way	Input Voltage (v)	Operating current (mA)	Consumption (w)	Luminous flux (lm)
88429.121.01	2700-3000K	12*1	V+/V- or L/N/G	DC24, AC90-230	1000 / 54-108	12	1080
88429.121.02	4000-4500K	12*1	V+/V- or L/N/G	DC24, AC90-230	1000 / 54-108	12	1140
88429.121.03	5000-5500K	12*1	V+/V- or L/N/G	DC24, AC90-230	1000 / 54-108	12	1200
88429.121.04	6000-6500K	12*1	V+/V- or L/N/G	DC24, AC90-230	1000 / 54-108	12	1200
88429.121.05	Red	12*1	V+/V- or L/N/G	DC24, AC90-230	1000 / 54-108	12	300
88429.121.06	Green	12*1	V+/V- or L/N/G	DC24, AC90-230	1000 / 54-108	12	720
88429.121.07	Blue	12*1	V+/V- or L/N/G	DC24, AC90-230	1000 / 54-108	12	360
88429.121.08	Yellow	12*1	V+/V- or L/N/G	DC24, AC90-230	1000 / 54-108	12	840
88429.121.09	RGB-DMX512 (3 channel)	12*1	V+/V- /D+/D-/GND	DC24	R: 166 G: 166 B: 166	R: 4 G: 4 B: 4	R: 100 G: 240 B: 120
88429.121.10	Auto changing color	12*1	V+/V-	AC12-24	R: 333 / 166 B: 333 / 166	G: 333 / 166	R: 100 G: 240 B: 120
88429.121.12	RGBV+ (build-in CC driver)	12*1	R/G/B/V+	DC24	R: 166 G: 166 B: 166	R: 4 G: 4 B: 4	R: 100 G: 240 B: 120



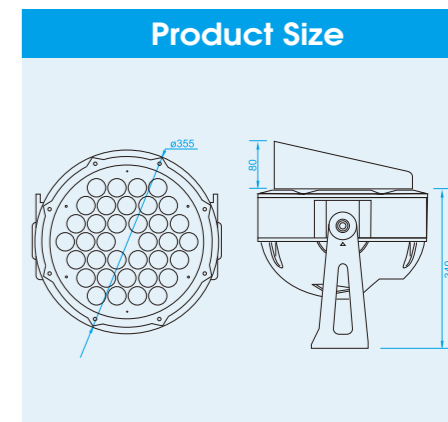


Specification

Model No.:	RS-LS12W150H(64061)
Front cover & Housing:	Aluminum body
Dimensions:	D150*W155*H184mm
Tempered Glass:	8mm thickness
LED chip:	Cree
LED Q'ty:	12pcs 1W LED
Cable gland:	Nickel plated brass PG9
Driver:	Constant current driver
Lens:	Clear, Bead, Frosted
Beam Angle Options:	10° 30° 45° 60° 90°
Power Cable:	3*0.75mm ² VDE rubber cable
Protection Class:	IP65
Environment:	Dry
Mounting Hardware:	Wall, ceiling, floor, pole mounting
Net Weight:	1.7kgs with 1m cable
Lifetime:	>50000H

Order information

Item code	Color	Light source(w)	Line Way	Input Voltage (v)	Operating current (mA)	Consumption (w)	Luminous flux (lm)
64061.121.01	2700-3000K	12*1	L/N/G	AC90-230	133-52	12	1080
64061.121.02	4000-4500K	12*1	L/N/G	AC90-230	133-52	12	1140
64061.121.03	5000-5500K	12*1	L/N/G	AC90-230	133-52	12	1200
64061.121.04	6000-6500K	12*1	L/N/G	AC90-230	133-52	12	1200
64061.121.05	Red	12*1	L/N/G	AC90-230	133-52	12	300
64061.121.06	Green	12*1	L/N/G	AC90-230	133-52	12	720
64061.121.07	Blue	12*1	L/N/G	AC90-230	133-52	12	360
64061.121.08	Yellow	12*1	L/N/G	AC90-230	133-52	12	840



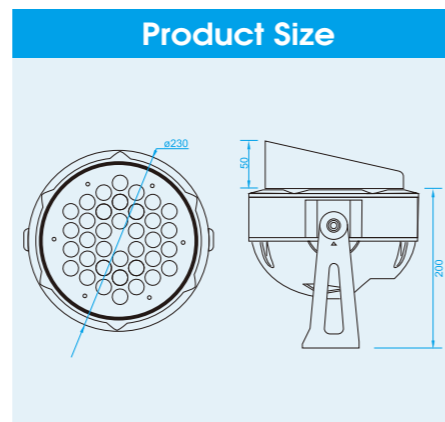
Specification

Model No.:	RS-LS18W180H (64071)
Front cover & Housing:	Aluminum body
Dimensions:	D180*W165*H420mm
Tempered Glass:	8mm thickness
LED chip:	Cree
LED Q'ty:	18pcs 1W LED
Cable gland:	Nickel plated brass PG9
Driver:	Constant current driver
Lens:	Clear, Bead, Frosted
Beam Angle Options:	10° 30° 45° 60° 90°
Power Cable:	3*0.75mm ² VDE rubber cable
Protection Class:	IP65
Environment:	Dry
Mounting Hardware:	Wall, ceiling, floor, pole mounting
Net Weight:	2.4kgs with 1m cable
Lifetime:	>50000H

Order information

Item code	Color	Light source(w)	Line Way	Input Voltage (v)	Operating current (mA)	Consumption (w)	Luminous flux (lm)
64071.181.01	2700-3000K	18*1	L/N/G	AC90-230	200-78	18	1620
64071.181.02	4000-4500K	18*1	L/N/G	AC90-230	200-78	18	1710
64071.181.03	5000-5500K	18*1	L/N/G	AC90-230	200-78	18	1800
64071.181.04	6000-6500K	18*1	L/N/G	AC90-230	200-78	18	1800
64071.181.05	Red	18*1	L/N/G	AC90-230	200-78	18	450
64071.181.06	Green	18*1	L/N/G	AC90-230	200-78	18	1080
64071.181.07	Blue	18*1	L/N/G	AC90-230	200-78	18	540
64071.181.08	Yellow	18*1	L/N/G	AC90-230	200-78	18	1260



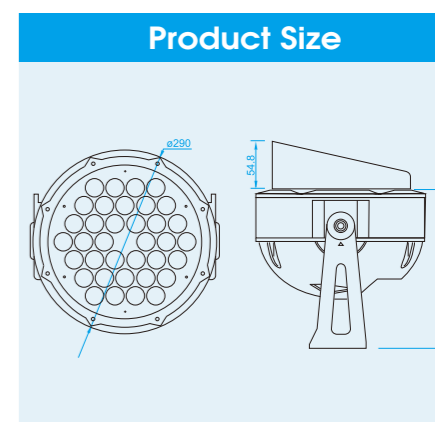


Specification

Model No.:	RS-LS36W230H(64081)
Front cover & Housing:	Aluminum body
Dimensions:	D230*W200*H288mm
Tempered Glass:	8mm thickness
LED chip:	Cree
LED Q'ty:	36pcs 1W LED
Cable gland:	Nickel plated brass PG9
Driver:	Constant current driver
Lens:	Clear, Bead, Frosted
Beam Angle Options:	10° 30° 45° 60° 90°
Power Cable:	3*0.75mm² VDE rubber cable
Protection Class:	IP65
Environment:	Dry
Mounting Hardware:	Wall, ceiling, floor, pole mounting
Net Weight:	4kgs with 1m cable
Lifetime:	>50000H

Order information

Item code	Color	Light source(w)	Line Way	Input Voltage (v)	Operating current (mA)	Consumption (w)	Luminous flux (lm)
64081.361.01	2700-3000K	36*1	L/N/G	AC90-230	163-327	36	3240
64081.361.02	4000-4500K	36*1	L/N/G	AC90-230	163-327	36	3420
64081.361.03	5000-5500K	36*1	L/N/G	AC90-230	163-327	36	3600
64081.361.04	6000-6500K	36*1	L/N/G	AC90-230	163-327	36	3600
64081.361.05	Red	36*1	L/N/G	AC90-230	163-327	36	900
64081.361.06	Green	36*1	L/N/G	AC90-230	163-327	36	2160
64081.361.07	Blue	36*1	L/N/G	AC90-230	163-327	36	1080
64081.361.08	Yellow	36*1	L/N/G	AC90-230	163-327	36	2520



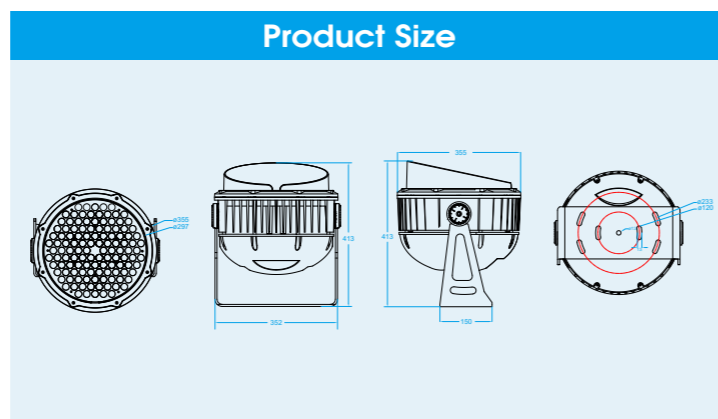
Specification

Model No.:	RS-LS72W290H (64091)
Front cover & Housing:	Aluminum body
Dimensions:	D290*W230*H275mm
Tempered Glass:	8mm thickness
LED chip:	Cree
LED Q'ty:	72pcs 1W LED
Cable gland:	Nickel plated brass PG9
Driver:	Constant current driver
Lens:	Clear, Bead, Frosted
Beam Angle Options:	10° 30° 45° 60° 90°
Power Cable:	3*0.75mm² VDE rubber cable
Protection Class:	IP65
Environment:	Dry
Mounting Hardware:	Wall, ceiling, floor, pole mounting
Net Weight:	17.5kgs with 1m cable
Lifetime:	>50000H

Order information

Item code	Color	Light source(w)	Line Way	Input Voltage (v)	Operating current (mA)	Consumption (w)	Luminous flux (lm)
64091.721.01	2700-3000K	72*1	L/N/G	AC90-230	800-313	72	6480
64091.721.02	4000-4500K	72*1	L/N/G	AC90-230	800-313	72	6840
64091.721.03	5000-5500K	72*1	L/N/G	AC90-230	800-313	72	7200
64091.721.04	6000-6500K	72*1	L/N/G	AC90-230	800-313	72	7200
64091.721.05	Red	72*1	L/N/G	AC90-230	800-313	72	1800
64091.721.06	Green	72*1	L/N/G	AC90-230	800-313	72	4320
64091.721.07	Blue	72*1	L/N/G	AC90-230	800-313	72	2160
64091.721.08	Yellow	72*1	L/N/G	AC90-230	800-313	72	5040



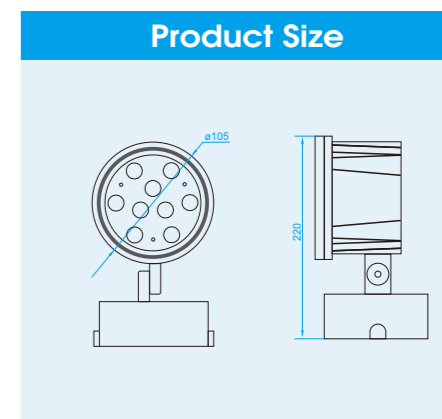


Specification

Model No.:	RS-LS150W355H (64101)
Front cover & Housing:	Aluminum body
Dimensions:	D355*W248*H413mm
Tempered Glass:	8mm thickness
LED chip:	Cree
LED Q'ty:	150pcs 1W LED
Cable gland:	Nickel plated brass PG9
Driver:	Constant current driver
Lens:	Clear, Bead, Frosted
Beam Angle Options:	10° 30° 45° 60° 90°
Power Cable:	3*0.75mm ² VDE rubber cable
Protection Class:	IP65
Environment:	Dry
Mounting Hardware:	Wall, ceiling, floor, pole mounting
Net Weight:	17.5kgs with 1m cable
Lifetime:	>50000H

Order information

Item code	Color	Light source(w)	Line Way	Input Voltage (v)	Operating current (mA)	Consumption (w)	Luminous flux (lm)
64101.1501.01	2700-3000K	150*1	L/N/G	AC90-230	1363-681	150	13500
64101.1501.02	4000-4500K	150*1	L/N/G	AC90-230	1363-681	150	14250
64101.1501.03	5000-5500K	150*1	L/N/G	AC90-230	1363-681	150	15000
64101.1501.04	6000-6500K	150*1	L/N/G	AC90-230	1363-681	150	15000
64101.1501.05	Red	150*1	L/N/G	AC90-230	1363-681	150	3750
64101.1501.06	Green	150*1	L/N/G	AC90-230	1363-681	150	9000
64101.1501.07	Blue	150*1	L/N/G	AC90-230	1363-681	150	4500
64101.1501.08	Yellow	150*1	L/N/G	AC90-230	1363-681	150	10500



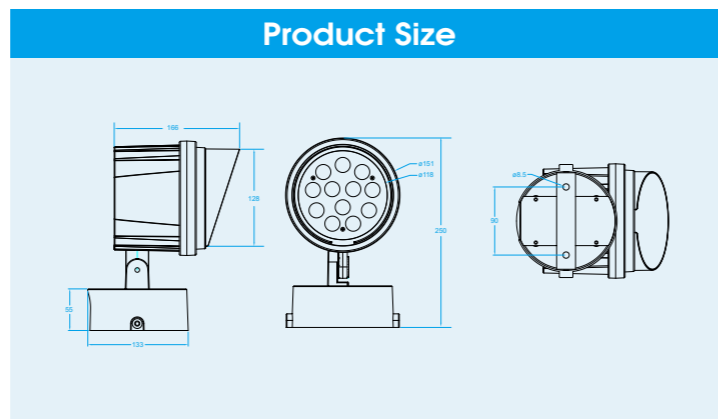
Specification

Model No.:	RS-LS18W150(64301)
Front cover & Housing:	Aluminum body
Dimensions:	D105*W130*H220mm
Tempered Glass:	8mm thickness
LED chip:	Cree / Epistar
LED Q'ty:	9pcs 2W LED
Cable gland:	Nickel plated brass PG9
Driver:	Constant current driver
Lens:	Clear, Bead, Frosted
Beam Angle Options:	10° 30° 45° 60° 90°
Power Cable:	3*0.75mm ² VDE rubber cable
Protection Class:	IP65
Environment:	Dry
Mounting Hardware:	Wall, ceiling, floor, pole mounting
Net Weight:	3.4kgs with 1m cable
Lifetime:	>50000H

Order information

Item code	Color	Light source(w)	Line Way	Input Voltage (v)	Operating current (mA)	Consumption (w)	Luminous flux (lm)
64301.092.01	2700-3000K	9*2	L/N/G	AC90-230	200-78	18	900
64301.092.02	4000-4500K	9*2	L/N/G	AC90-230	200-78	18	990
64301.092.03	5000-5500K	9*2	L/N/G	AC90-230	200-78	18	1080
64301.092.04	6000-6500K	9*2	L/N/G	AC90-230	200-78	18	1080
64301.092.05	Red	9*2	L/N/G	AC90-230	150-59	13.5	315
64301.092.06	Green	9*2	L/N/G	AC90-230	200-78	18	720
64301.092.07	Blue	9*2	L/N/G	AC90-230	200-78	18	270
64301.092.08	Yellow	9*2	L/N/G	AC90-230	200-78	18	720



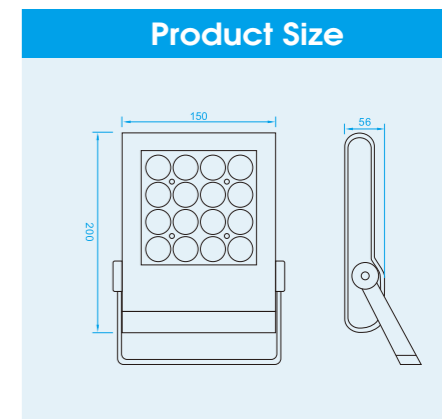


Specification

Model No.:	RS-LS24W150H(64303)
Front cover & Housing:	Aluminum body
Dimensions:	D150*W170*H250mm
Tempered Glass:	8mm thickness
LED chip:	Cree / Epistar
LED Q'ty:	12pcs 2W LED
Cable gland:	Nickel plated brass PG9
Driver:	Constant current driver
Lens:	Clear, Bead, Frosted
Beam Angle Options:	10° 30° 45° 60° 90°
Power Cable:	3*0.75mm ² VDE rubber cable
Protection Class:	IP65
Environment:	Dry
Mounting Hardware:	Wall, ceiling, floor, pole mounting
Net Weight:	3.4kgs with 1m cable
Lifetime:	>50000H

Order information

Item code	Color	Light source(w)	Line Way	Input Voltage (v)	Operating current (mA)	Consumption (w)	Luminous flux (lm)
64304.122.01	2700-3000K	12*2	L/N/G	AC90-230	109 / 218	24	1200
64304.122.02	4000-4500K	12*2	L/N/G	AC90-230	109 / 218	24	1320
64304.122.03	5000-5500K	12*2	L/N/G	AC90-230	109 / 218	24	1440
64304.122.04	6000-6500K	12*2	L/N/G	AC90-230	109 / 218	24	1440
64304.122.05	Red	12*2	L/N/G	AC90-230	81 / 163	18	420
64304.122.06	Green	12*2	L/N/G	AC90-230	109 / 218	24	960
64304.122.07	Blue	12*2	L/N/G	AC90-230	109 / 218	24	360
64304.122.08	Yellow	12*2	L/N/G	AC90-230	109 / 218	24	960



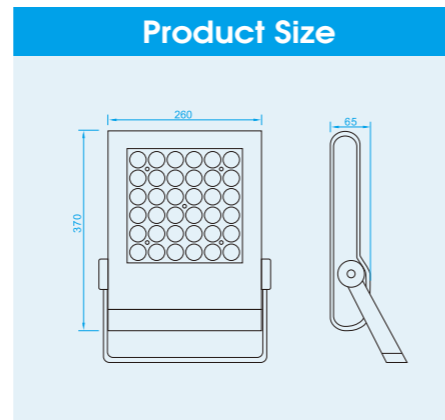
Specification

Model No.:	RS-LSQ16W200(64191)
Front cover & Housing:	Aluminum body
Dimensions:	L200*W150*H56mm
Tempered Glass:	8mm thickness
LED chip:	Cree
LED Q'ty:	16pcs 1W LED
Cable gland:	Nickel plated brass PG9
Driver:	Constant current driver
Lens:	Clear, Bead, Frosted
Beam Angle Options:	10° 30° 45° 60° 90°
Power Cable:	3*0.75mm ² VDE rubber cable
Protection Class:	IP65
Environment:	Dry
Mounting Hardware:	Wall, ceiling, floor, pole mounting
Net Weight:	1.5kgs with 1m cable
Lifetime:	>50000H

Order information

Item code	Color	Light source(w)	Line Way	Input Voltage (v)	Operating current (mA)	Consumption (w)	Luminous flux (lm)
64191.161.01	2700-3000K	16*1	L/N/G	AC90-230	696-177	16	1440
64191.161.02	4000-4500K	16*1	L/N/G	AC90-230	696-177	16	1520
64191.161.03	5000-5500K	16*1	L/N/G	AC90-230	696-177	16	1600
64191.161.04	6000-6500K	16*1	L/N/G	AC90-230	696-177	16	1600
64191.161.05	Red	16*1	L/N/G	AC90-230	696-177	16	400
64191.161.06	Green	16*1	L/N/G	AC90-230	696-177	16	960
64191.161.07	Blue	16*1	L/N/G	AC90-230	696-177	16	480
64191.161.08	Yellow	16*1	L/N/G	AC90-230	696-177	16	1120



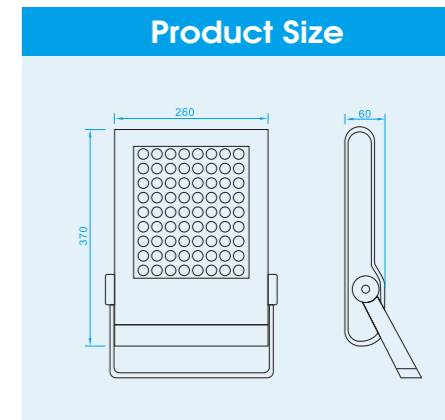


Specification

Model No.:	RS-LSQ36W270(64192)
Front cover & Housing:	Aluminum body
Dimensions:	L370*W260*H65mm
Tempered Glass:	8mm thickness
LED chip:	Cree
LED Q'ty:	36pcs 1W LED
Cable gland:	Nickel plated brass PG9
Driver:	Constant current driver
Lens:	Clear, Bead, Frosted
Beam Angle Options:	10° 30° 45° 60° 90°
Power Cable:	3*0.75mm ² VDE rubber cable
Protection Class:	IP65
Environment:	Dry
Mounting Hardware:	Wall, ceiling, floor, pole mounting
Net Weight:	2.5kgs with 1m cable
Lifetime:	>50000H

Order information

Item code	Color	Light source(w)	Line Way	Input Voltage (v)	Operating current (mA)	Consumption (w)	Luminous flux (lm)
64192.361.01	2700-3000K	36*1	L/N/G	AC90-230	400-156	36	3240
64192.361.02	4000-4500K	36*1	L/N/G	AC90-230	400-156	36	3420
64192.361.03	5000-5500K	36*1	L/N/G	AC90-230	400-156	36	3600
64192.361.04	6000-6500K	36*1	L/N/G	AC90-230	400-156	36	3600
64192.361.05	Red	36*1	L/N/G	AC90-230	400-156	36	900
64192.361.06	Green	36*1	L/N/G	AC90-230	400-156	36	2160
64192.361.07	Blue	36*1	L/N/G	AC90-230	400-156	36	1080
64192.361.08	Yellow	36*1	L/N/G	AC90-230	400-156	36	2520



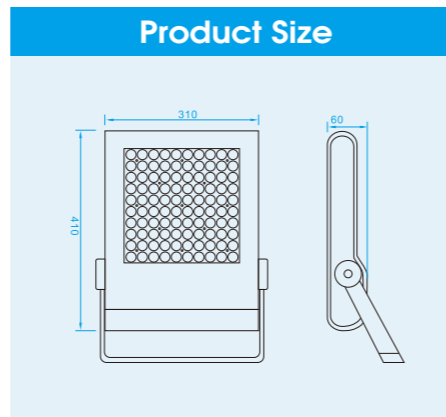
Specification

Model No.:	RS-LSQ72W370(64193)
Front cover & Housing:	Aluminum body
Dimensions:	L370*W260*H60mm
Tempered Glass:	8mm thickness
LED chip:	Cree
LED Q'ty:	72pcs 1W LED
Cable gland:	Nickel plated brass PG9
Driver:	Constant current driver
Lens:	Clear, Bead, Frosted
Beam Angle Options:	10° 30° 45° 60° 90°
Power Cable:	3*0.75mm ² VDE rubber cable
Protection Class:	IP65
Environment:	Dry
Mounting Hardware:	Wall, ceiling, floor, pole mounting
Net Weight:	4.5kgs with 1m cable
Lifetime:	>50000H

Order information

Item code	Color	Light source(w)	Line Way	Input Voltage (v)	Operating current (mA)	Consumption (w)	Luminous flux (lm)
64193.721.01	2700-3000K	72*1	L/N/G	AC90-230	327-654	72	6480
64193.721.02	4000-4500K	72*1	L/N/G	AC90-230	327-654	72	6840
64193.721.03	5000-5500K	72*1	L/N/G	AC90-230	327-654	72	7200
64193.721.04	6000-6500K	72*1	L/N/G	AC90-230	327-654	72	7200
64193.721.05	Red	72*1	L/N/G	AC90-230	327-654	72	1800
64193.721.06	Green	72*1	L/N/G	AC90-230	327-654	72	4320
64193.721.07	Blue	72*1	L/N/G	AC90-230	327-654	72	2160
64193.721.08	Yellow	72*1	L/N/G	AC90-230	327-654	72	5040



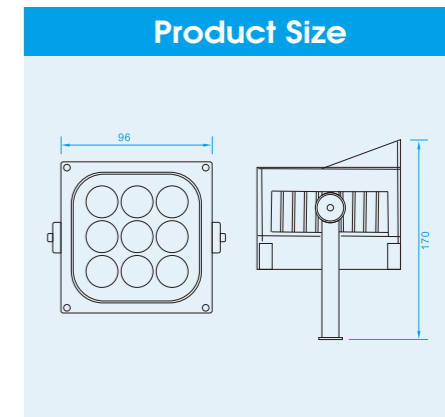


Specification

Model No.:	RS-LSQ100W410(64194)
Front cover & Housing:	Aluminum body
Dimensions:	L410*W310*H60mm
Tempered Glass:	8mm thickness
LED chip:	Cree
LED Q'ty:	100pcs 1W LED
Cable gland:	Nickel plated brass PG9
Driver:	Constant current driver
Lens:	Clear, Bead, Frosted
Beam Angle Options:	10° 30° 45° 60° 90°
Power Cable:	3*0.75mm² VDE rubber cable
Protection Class:	IP65
Environment:	Dry
Mounting Hardware:	Wall, ceiling, floor, pole mounting
Net Weight:	5.6kgs with 1m cable
Lifetime:	>50000H

Order information

Item code	Color	Light source(w)	Line Way	Input Voltage (v)	Operating current (mA)	Consumption (w)	Luminous flux (lm)
64194.1001.01	2700-3000K	100*1	L/N/G	AC90-230	1111-435	100	9000
64194.1001.02	4000-4500K	100*1	L/N/G	AC90-230	1111-435	100	9500
64194.1001.03	5000-5500K	100*1	L/N/G	AC90-230	1111-435	100	10000
64194.1001.04	6000-6500K	100*1	L/N/G	AC90-230	1111-435	100	10000
64194.1001.05	Red	100*1	L/N/G	AC90-230	1111-435	100	2500
64194.1001.06	Green	100*1	L/N/G	AC90-230	1111-435	100	6000
64194.1001.07	Blue	100*1	L/N/G	AC90-230	1111-435	100	3000
64194.1001.08	Yellow	100*1	L/N/G	AC90-230	1111-435	100	7000



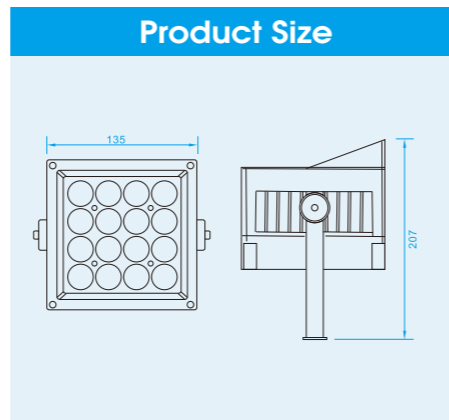
Specification

Model No.:	RS-LS18W96H(64011)
Front cover & Housing:	Aluminum body
Dimensions:	L96*W96*H170mm
Tempered Glass:	8mm thickness
LED chip:	Cree
LED Q'ty:	9pcs 2W LED
Cable gland:	Nickel plated brass PG9
Driver:	Constant current driver
Lens:	Clear, Bead, Frosted
Beam Angle Options:	10° 30° 45° 60° 90°
Power Cable:	3*0.75mm² VDE rubber cable
Protection Class:	IP65
Environment:	Dry
Mounting Hardware:	Wall, ceiling, floor, pole mounting
Net Weight:	1.4kgs with 1m cable
Lifetime:	>50000H

Order information

Item code	Color	Light source(w)	Line Way	Input Voltage (v)	Operating current (mA)	Consumption (w)	Luminous flux (lm)
64011.092.01	2700-3000K	9*2	L/N/G	AC90-230	200-78	18	900
64011.092.02	4000-4500K	9*2	L/N/G	AC90-230	200-78	18	990
64011.092.03	5000-5500K	9*2	L/N/G	AC90-230	200-78	18	1080
64011.092.04	6000-6500K	9*2	L/N/G	AC90-230	200-78	18	1080
64011.092.05	Red	9*2	L/N/G	AC90-230	150-59	13.5	472
64011.092.06	Green	9*2	L/N/G	AC90-230	200-78	18	720
64011.092.07	Blue	9*2	L/N/G	AC90-230	200-78	18	270
64011.092.08	Yellow	9*2	L/N/G	AC90-230	200-78	18	720



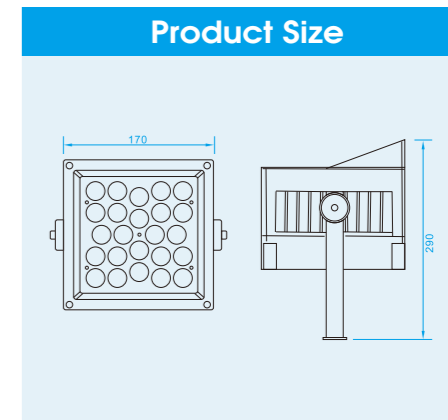


Specification

Model No.:	RS-LS32W135H(64021)
Front cover & Housing:	Aluminum body
Dimensions:	L135*W135*H207mm
Tempered Glass:	8mm thickness
LED chip:	Cree
LED Q'ty:	16pcs 2W LED
Cable gland:	Nickel plated brass PG9
Driver:	Constant current driver
Lens:	Clear, Bead, Frosted
Beam Angle Options:	10° 30° 45° 60° 90°
Power Cable:	3*0.75mm ² VDE rubber cable
Protection Class:	IP65
Environment:	Dry
Mounting Hardware:	Wall, ceiling, floor, pole mounting
Net Weight:	2.8kgs with 1m cable
Lifetime:	>50000H

Order information

Item code	Color	Light source(w)	Line Way	Input Voltage (v)	Operating current (mA)	Consumption (w)	Luminous flux (lm)
64021.162.01	2700-3000K	16*2	L/N/G	AC90-230	356-139	32	1600
64021.162.02	4000-4500K	16*2	L/N/G	AC90-230	356-139	32	1760
64021.162.03	5000-5500K	16*2	L/N/G	AC90-230	356-139	32	1920
64021.162.04	6000-6500K	16*2	L/N/G	AC90-230	356-139	32	1920
64021.162.05	Red	16*2	L/N/G	AC90-230	356-139	24	560
64021.162.06	Green	16*2	L/N/G	AC90-230	356-139	32	1280
64021.162.07	Blue	16*2	L/N/G	AC90-230	356-139	32	480
64021.162.08	Yellow	16*2	L/N/G	AC90-230	356-139	32	1280



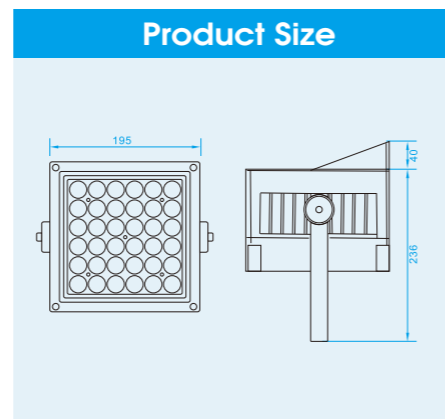
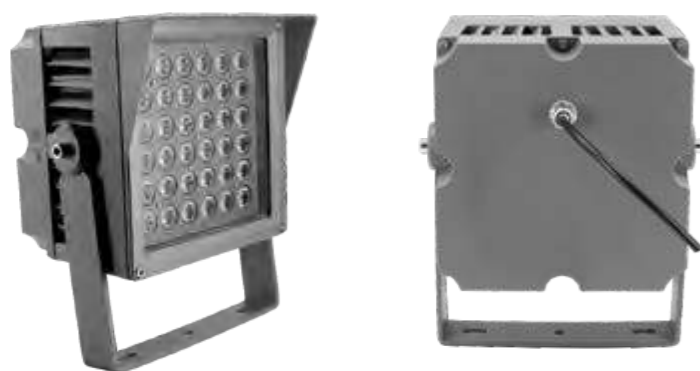
Specification

Model No.:	RS-LS48W170H (64031)
Front cover & Housing:	Aluminum body
Dimensions:	L170*W170*H290mm
Tempered Glass:	8mm thickness
LED chip:	Cree
LED Q'ty:	24pcs 2W LED
Cable gland:	Nickel plated brass PG9
Driver:	Constant current driver
Lens:	Clear, Bead, Frosted
Beam Angle Options:	10° 30° 45° 60° 90°
Power Cable:	3*0.75mm ² VDE rubber cable
Protection Class:	IP65
Environment:	Dry
Mounting Hardware:	Wall, ceiling, floor, pole mounting
Net Weight:	3.8kgs with 1m cable
Lifetime:	>50000H

Order information

Item code	Color	Light source(w)	Line Way	Input Voltage (v)	Operating current (mA)	Consumption (w)	Luminous flux (lm)
64031.242.01	2700-3000K	24*2	L/N/G	AC90-230	533-209	48	2400
64031.242.02	4000-4500K	24*2	L/N/G	AC90-230	533-209	48	2260
64031.242.03	5000-5500K	24*2	L/N/G	AC90-230	533-209	48	2880
64031.242.04	6000-6500K	24*2	L/N/G	AC90-230	533-209	48	2880
64031.242.05	Red	24*2	L/N/G	AC90-230	400-157	36	840
64031.242.06	Green	24*2	L/N/G	AC90-230	533-209	48	1920
64031.242.07	Blue	24*2	L/N/G	AC90-230	533-209	48	720
64031.242.08	Yellow	24*2	L/N/G	AC90-230	533-209	48	1920



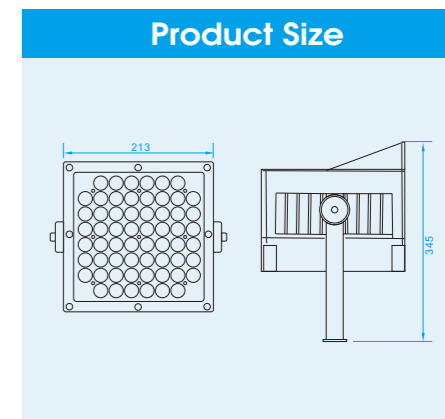


Specification

Model No.:	RS-LS72W195H(64041)
Front cover & Housing:	Aluminum body
Dimensions:	L195*W195*H276mm
Tempered Glass:	8mm thickness
LED chip:	Cree
LED Q'ty:	36pcs 2W LED
Cable gland:	Nickel plated brass PG9
Driver:	Constant current driver
Lens:	Clear, Bead, Frosted
Beam Angle Options:	10° 30° 45° 60° 90°
Power Cable:	3*0.75mm ² VDE rubber cable
Protection Class:	IP65
Environment:	Dry
Mounting Hardware:	Wall, ceiling, floor, pole mounting
Net Weight:	5.2kgs with 1m cable
Lifetime:	>50000H

Order information

Item code	Color	Light source(w)	Line Way	Input Voltage (v)	Operating current (mA)	Consumption (w)	Luminous flux (lm)
64041.362.01	2700-3000K	36*2	L/N/G	AC90-230	327-654	72	3600
64041.362.02	4000-4500K	36*2	L/N/G	AC90-230	327-654	72	3960
64041.362.03	5000-5500K	36*2	L/N/G	AC90-230	327-654	72	4320
64041.362.04	6000-6500K	36*2	L/N/G	AC90-230	327-654	72	4320
64041.362.05	Red	36*2	L/N/G	AC90-230	295-490	54	1260
64041.362.06	Green	36*2	L/N/G	AC90-230	327-654	72	2880
64041.362.07	Blue	36*2	L/N/G	AC90-230	327-654	72	1080
64041.362.08	Yellow	36*2	L/N/G	AC90-230	327-654	72	2880



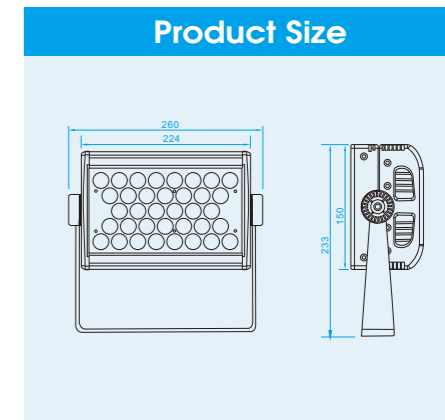
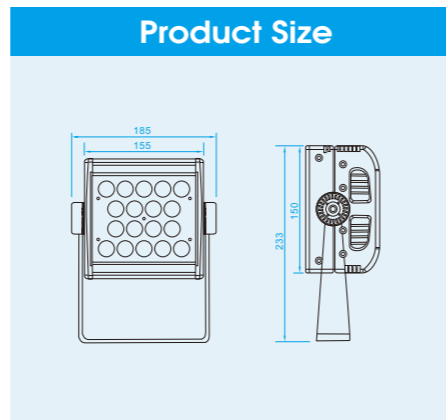
Specification

Model No.:	RS-LS120W213H (64051)
Front cover & Housing:	Aluminum body
Dimensions:	L213*W213*H345mm
Tempered Glass:	8mm thickness
LED chip:	Cree
LED Q'ty:	60pcs 2W LED
Cable gland:	Nickel plated brass PG9
Driver:	Constant current driver
Lens:	Clear, Bead, Frosted
Beam Angle Options:	10° 30° 45° 60° 90°
Power Cable:	3*0.75mm ² VDE rubber cable
Protection Class:	IP65
Environment:	Dry
Mounting Hardware:	Wall, ceiling, floor, pole mounting
Net Weight:	7.5kgs with 1m cable
Lifetime:	>50000H

Order information

Item code	Color	Light source(w)	Line Way	Input Voltage (v)	Operating current (mA)	Consumption (w)	Luminous flux (lm)
64051.602.01	2700-3000K	60*2	L/N/G	AC90-230	1333-522	120	12000
64051.602.02	4000-4500K	60*2	L/N/G	AC90-230	1333-522	120	13200
64051.602.03	5000-5500K	60*2	L/N/G	AC90-230	1333-522	120	14400
64051.602.04	6000-6500K	60*2	L/N/G	AC90-230	1333-522	120	14400
64051.602.05	Red	60*2	L/N/G	AC90-230	1000-391	90	3150
64051.602.06	Green	60*2	L/N/G	AC90-230	1333-522	120	9600
64051.602.07	Blue	60*2	L/N/G	AC90-230	1333-522	120	3600
64051.602.08	Yellow	60*2	L/N/G	AC90-230	1333-522	120	9600





Specification

Model No.:	RS-LS36W185(64111)
Front cover & Housing:	Aluminum body
Dimensions:	L185*W150*H233mm
Tempered Glass:	8mm thickness
LED chip:	Cree
LED Q'ty:	18pcs 2W LED
Cable gland:	Nickel plated brass PG9
Driver:	Constant current driver
Lens:	Clear, Bead, Frosted
Beam Angle Options:	10° 30° 45° 60° 90°
Power Cable:	3*0.75mm² VDE rubber cable
Protection Class:	IP65
Environment:	Dry
Mounting Hardware:	Wall, ceiling, floor, pole mounting
Net Weight:	2.7kgs with 1m cable
Lifetime:	>50000H

Specification

Model No.:	RS-LS72W260(64121)
Front cover & Housing:	Aluminum body
Dimensions:	L260*W150*H233mm
Tempered Glass:	8mm thickness
LED chip:	Cree
LED Q'ty:	36pcs 2W LED
Cable gland:	Nickel plated brass PG9
Driver:	Constant current driver
Lens:	Clear, Bead, Frosted
Beam Angle Options:	10° 30° 45° 60° 90°
Power Cable:	3*0.75mm² VDE rubber cable
Protection Class:	IP65
Environment:	Dry
Mounting Hardware:	Wall, ceiling, floor, pole mounting
Net Weight:	3.4kgs with 1m cable
Lifetime:	>50000H

Order information

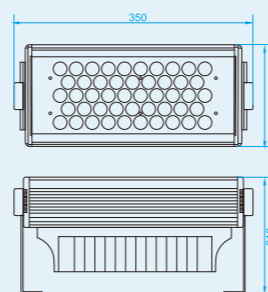
Item code	Color	Light source(w)	Line Way	Input Voltage (v)	Operating current (mA)	Consumption (w)	Luminous flux (lm)
64111.182.01	2700-3000K	18*2	L/N/G	AC90-230	400-156	36	1800
64111.182.02	4000-4500K	18*2	L/N/G	AC90-230	400-156	36	1980
64111.182.03	5000-5500K	18*2	L/N/G	AC90-230	400-156	36	2160
64111.182.04	6000-6500K	18*2	L/N/G	AC90-230	400-156	36	2160
64111.182.05	Red	18*2	L/N/G	AC90-230	400-156	27	630
64111.182.06	Green	18*2	L/N/G	AC90-230	400-156	36	1440
64111.182.07	Blue	18*2	L/N/G	AC90-230	400-156	36	540
64111.182.08	Yellow	18*2	L/N/G	AC90-230	400-156	36	1440

Order information

Item code	Color	Light source(w)	Line Way	Input Voltage (v)	Operating current (mA)	Consumption (w)	Luminous flux (lm)
64121.362.01	2700-3000K	36*2	L/N/G	AC90-230	327-654	72	3600
64121.362.02	4000-4500K	36*2	L/N/G	AC90-230	327-654	72	3960
64121.362.03	5000-5500K	36*2	L/N/G	AC90-230	327-654	72	4320
64121.362.04	6000-6500K	36*2	L/N/G	AC90-230	327-654	72	4320
64121.362.05	Red	36*2	L/N/G	AC90-230	295-490	54	1260
64121.362.06	Green	36*2	L/N/G	AC90-230	327-654	72	2880
64121.362.07	Blue	36*2	L/N/G	AC90-230	327-654	72	1080
64121.362.08	Yellow	36*2	L/N/G	AC90-230	327-654	72	2880



Product Size



Specification

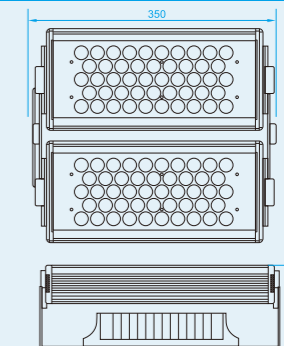
Model No.:	RS-LS96W350(64131)
Front cover & Housing:	Aluminum body
Dimensions:	L350*W150*H210mm
Tempered Glass:	8mm thickness
LED chip:	Cree
LED Q'ty:	48pcs 2W LED
Cable gland:	Nickel plated brass PG9
Driver:	Constant current driver
Lens:	Clear, Bead, Frosted
Beam Angle Options:	10° 30° 45° 60° 90°
Power Cable:	3*0.75mm² VDE rubber cable
Protection Class:	IP65
Environment:	Dry
Mounting Hardware:	Wall, ceiling, floor, pole mounting
Net Weight:	5.5kgs with 1m cable
Lifetime:	>50000H

Order information

Item code	Color	Light source(w)	Line Way	Input Voltage (v)	Operating current (mA)	Consumption (w)	Luminous flux (lm)
64131.482.01	2700-3000K	48*2	L/N/G	AC90-230	327-654	96	4800
64131.482.02	4000-4500K	48*2	L/N/G	AC90-230	327-654	96	5280
64131.482.03	5000-5500K	48*2	L/N/G	AC90-230	327-654	96	5760
64131.482.04	6000-6500K	48*2	L/N/G	AC90-230	327-654	96	5760
64131.482.05	Red	48*2	L/N/G	AC90-230	295-490	96	1680
64131.482.06	Green	48*2	L/N/G	AC90-230	327-654	96	3840
64131.482.07	Blue	48*2	L/N/G	AC90-230	327-654	96	1440
64131.482.08	Yellow	48*2	L/N/G	AC90-230	327-654	96	3840



Product Size



Specification

Model No.:	RS-LS192W350X2 (64132)
Front cover & Housing:	Aluminum body
Dimensions:	L350*W335*H215mm
Tempered Glass:	8mm thickness
LED chip:	Cree
LED Q'ty:	48pcs 2W LED *2 (double lights)
Cable gland:	Nickel plated brass PG9
Driver:	Constant current driver
Lens:	Clear, Bead, Frosted
Beam Angle Options:	10° 30° 45° 60° 90°
Power Cable:	3*0.75mm² VDE rubber cable
Protection Class:	IP65
Environment:	Dry
Mounting Hardware:	Wall, ceiling, floor, pole mounting
Net Weight:	11.2kgs with 1m cable
Lifetime:	>50000H

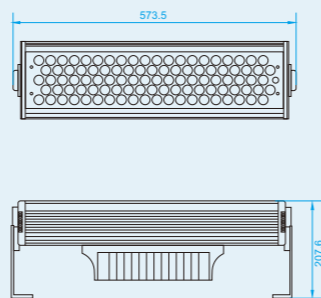
Order information

Item code	Color	Light source(w)	Line Way	Input Voltage (v)	Operating current (mA)	Consumption (w)	Luminous flux (lm)
64132.962.01	2700-3000K	48*2*2	L/N/G	AC90-230	213-835	192	9600
64132.962.02	4000-4500K	48*2*2	L/N/G	AC90-230	213-835	192	10560
64132.962.03	5000-5500K	48*2*2	L/N/G	AC90-230	213-835	192	11520
64132.962.04	6000-6500K	48*2*2	L/N/G	AC90-230	213-835	192	11520
64132.962.05	Red	48*2*2	L/N/G	AC90-230	213-835	192	3360
64132.962.06	Green	48*2*2	L/N/G	AC90-230	213-835	192	7680
64132.962.07	Blue	48*2*2	L/N/G	AC90-230	213-835	192	2880
64132.962.08	Yellow	48*2*2	L/N/G	AC90-230	213-835	192	7680





Product Size



Specification

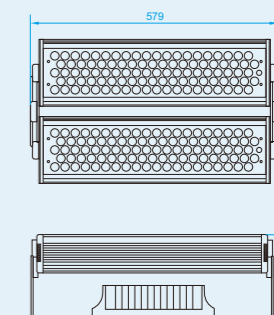
Model No.:	RS-LS100W575(64141)
Front cover & Housing:	Aluminum body
Dimensions:	L575*W150*H210mm
Tempered Glass:	8mm thickness
LED chip:	Cree
LED Q'ty:	100pcs 1W LED
Cable gland:	Nickel plated brass PG9
Driver:	Constant current driver
Lens:	Clear, Bead, Frosted
Beam Angle Options:	10° 30° 45° 60° 90°
Power Cable:	3*0.75mm ² VDE rubber cable
Protection Class:	IP65
Environment:	Dry
Mounting Hardware:	Wall, ceiling, floor, pole mounting
Net Weight:	8kgs with 1m cable
Lifetime:	>50000H

Order information

Item code	Color	Light source(w)	Line Way	Input Voltage (v)	Operating current (mA)	Consumption (w)	Luminous flux (lm)
64141.1001.01	2700-3000K	100*1	L/N/G	AC90-230	1111-435	100	9000
64141.1001.02	4000-4500K	100*1	L/N/G	AC90-230	1111-435	100	9500
64141.1001.03	5000-5500K	100*1	L/N/G	AC90-230	1111-435	100	10000
64141.1001.04	6000-6500K	100*1	L/N/G	AC90-230	1111-435	100	10000
64141.1001.05	Red	100*1	L/N/G	AC90-230	1111-435	100	2500
64141.1001.06	Green	100*1	L/N/G	AC90-230	1111-435	100	6000
64141.1001.07	Blue	100*1	L/N/G	AC90-230	1111-435	100	3000
64141.1001.08	Yellow	100*1	L/N/G	AC90-230	1111-435	100	7000



Product Size



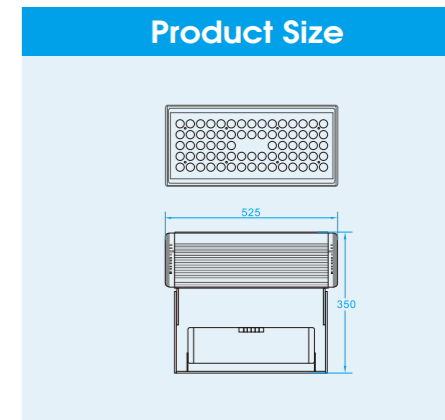
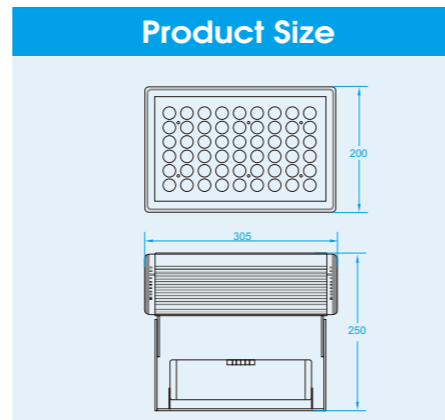
Specification

Model No.:	RS-LS200W575X2 (64142)
Front cover & Housing:	Aluminum body
Dimensions:	L575*W370*H210mm
Tempered Glass:	8mm thickness
LED chip:	Cree
LED Q'ty:	100pcs 1W LED *2 (double lights)
Cable gland:	Nickel plated brass PG9
Driver:	Constant current driver
Lens:	Clear, Bead, Frosted
Beam Angle Options:	10° 30° 45° 60° 90°
Power Cable:	3*0.75mm ² VDE rubber cable
Protection Class:	IP65
Environment:	Dry
Mounting Hardware:	Wall, ceiling, floor, pole mounting
Net Weight:	16kgs with 1m cable
Lifetime:	>50000H

Order information

Item code	Color	Light source(w)	Line Way	Input Voltage (v)	Operating current (mA)	Consumption (w)	Luminous flux (lm)
64142.2001.01	2700-3000K	100*1*2	L/N/G	AC90-230	909-1818	200	18000
64142.2001.02	4000-4500K	100*1*2	L/N/G	AC90-230	909-1818	200	19000
64142.2001.03	5000-5500K	100*1*2	L/N/G	AC90-230	909-1818	200	20000
64142.2001.04	6000-6500K	100*1*2	L/N/G	AC90-230	909-1818	200	20000
64142.2001.05	Red	100*1*2	L/N/G	AC90-230	909-1818	200	5000
64142.2001.06	Green	100*1*2	L/N/G	AC90-230	909-1818	200	12000
64142.2001.07	Blue	100*1*2	L/N/G	AC90-230	909-1818	200	6000
64142.2001.08	Yellow	100*1*2	L/N/G	AC90-230	909-1818	200	14000





Specification

Model No.:	RS-LS108W305(64151)
Front cover & Housing:	Aluminum body
Dimensions:	L305*W200*H250mm
Tempered Glass:	8mm thickness
LED chip:	Cree
LED Q'ty:	54pcs 2W LED
Cable gland:	Nickel plated brass PG9
Driver:	Constant current driver
Lens:	Clear, Bead, Frosted
Beam Angle Options:	10° 30° 45° 60° 90°
Power Cable:	3*0.75mm ² VDE rubber cable
Protection Class:	IP65
Environment:	Dry
Mounting Hardware:	Wall, ceiling, floor, pole mounting
Net Weight:	7.1kgs with 1m cable
Lifetime:	>50000H

Specification

Model No.:	RS-LS144W425 (64161)
Front cover & Housing:	Aluminum body
Dimensions:	L525*W200*H350mm
Tempered Glass:	8mm thickness
LED chip:	Cree
LED Q'ty:	72pcs 2W LED
Cable gland:	Nickel plated brass PG9
Driver:	Constant current driver
Lens:	Clear, Bead, Frosted
Beam Angle Options:	10° 30° 45° 60° 90°
Power Cable:	3*0.75mm ² VDE rubber cable
Protection Class:	IP65
Environment:	Dry
Mounting Hardware:	Wall, ceiling, floor, pole mounting
Net Weight:	11.9kgs with 1m cable
Lifetime:	>50000H

Order information

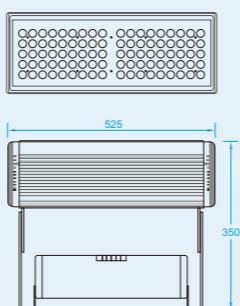
Item code	Color	Light source(w)	Line Way	Input Voltage (v)	Operating current (mA)	Consumption (w)	Luminous flux (lm)
64151.542.01	2700-3000K	54*2	L/N/G	AC90-230	490-981	108	5400
64151.542.02	4000-4500K	54*2	L/N/G	AC90-230	490-981	108	5940
64151.542.03	5000-5500K	54*2	L/N/G	AC90-230	490-981	108	6480
64151.542.04	6000-6500K	54*2	L/N/G	AC90-230	490-981	108	6480
64151.542.05	Red	54*2	L/N/G	AC90-230	490-981	108	1890
64151.542.06	Green	54*2	L/N/G	AC90-230	490-981	108	4320
64151.542.07	Blue	54*2	L/N/G	AC90-230	490-981	108	1620
64151.542.08	Yellow	54*2	L/N/G	AC90-230	490-981	108	4320

Order information

Item code	Color	Light source(w)	Line Way	Input Voltage (v)	Operating current (mA)	Consumption (w)	Luminous flux (lm)
64161.722.01	2700-3000K	72*2	L/N/G	AC90-230	1600-626	144	7200
64161.722.02	4000-4500K	72*2	L/N/G	AC90-230	1600-626	144	7920
64161.722.03	5000-5500K	72*2	L/N/G	AC90-230	1600-626	144	8640
64161.722.04	6000-6500K	72*2	L/N/G	AC90-230	1600-626	144	8640
64161.722.05	Red	72*2	L/N/G	AC90-230	1600-626	144	2520
64161.722.06	Green	72*2	L/N/G	AC90-230	1600-626	144	5760
64161.722.07	Blue	72*2	L/N/G	AC90-230	1600-626	144	2160
64161.722.08	Yellow	72*2	L/N/G	AC90-230	1600-626	144	5760



Product Size



Specification

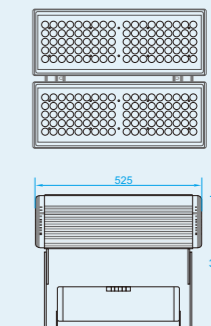
Model No.:	RS-LS180W525(64171)
Front cover & Housing:	Aluminum body
Dimensions:	L525*W200*H350mm
Tempered Glass:	8mm thickness
LED chip:	Cree
LED Q'ty:	90pcs 2W LED
Cable gland:	Nickel plated brass PG9
Driver:	Constant current driver
Lens:	Clear, Bead, Frosted
Beam Angle Options:	10° 30° 45° 60° 90°
Power Cable:	3*0.75mm ² VDE rubber cable
Protection Class:	IP65
Environment:	Dry
Mounting Hardware:	Wall, ceiling, floor, pole mounting
Net Weight:	13.6kgs with 1m cable
Lifetime:	>50000H

Order information

Item code	Color	Light source(w)	Line Way	Input Voltage (v)	Operating current (mA)	Consumption (w)	Luminous flux (lm)
64171.902.01	2700-3000K	90*2	L/N/G	AC90-230	2000-783	180	9000
64171.902.02	4000-4500K	90*2	L/N/G	AC90-230	2000-783	180	9900
64171.902.03	5000-5500K	90*2	L/N/G	AC90-230	2000-783	180	10800
64171.902.04	6000-6500K	90*2	L/N/G	AC90-230	2000-783	180	10800
64171.902.05	Red	90*2	L/N/G	AC90-230	2000-783	180	3150
64171.902.06	Green	90*2	L/N/G	AC90-230	2000-783	180	7200
64171.902.07	Blue	90*2	L/N/G	AC90-230	2000-783	180	2700
64171.902.08	Yellow	90*2	L/N/G	AC90-230	2000-783	180	7200



Product Size



Specification

Model No.:	RS-LS180W525X2 (64172)
Front cover & Housing:	Aluminum body
Dimensions:	L525*W420*H370mm
Tempered Glass:	8mm thickness
LED chip:	Cree / Epistar
LED Q'ty:	90pcs 2W LED *2 (double lights)
Cable gland:	Nickel plated brass PG9
Driver:	Constant current driver
Lens:	Clear, Bead, Frosted
Beam Angle Options:	10° 30° 45° 60° 90°
Power Cable:	3*0.75mm ² VDE rubber cable
Protection Class:	IP65
Environment:	Dry
Mounting Hardware:	Wall, ceiling, floor, pole mounting
Net Weight:	23kgs with 1m cable
Lifetime:	>50000H

Order information

Item code	Color	Light source(w)	Line Way	Input Voltage (v)	Operating current (mA)	Consumption (w)	Luminous flux (lm)
64172.1802.01	2700-3000K	90*2*2	L/N/G	AC90-230	1636-3272	360	18000
64172.1802.01	4000-4500K	90*2*2	L/N/G	AC90-230	1636-3272	360	19800
64172.1802.01	5000-5500K	90*2*2	L/N/G	AC90-230	1636-3272	360	21600
64172.1802.01	6000-6500K	90*2*2	L/N/G	AC90-230	1636-3272	360	21600
64172.1802.01	Red	90*2*2	L/N/G	AC90-230	1636-3272	360	6300
64172.1802.01	Green	90*2*2	L/N/G	AC90-230	1636-3272	360	14400
64172.1802.01	Blue	90*2*2	L/N/G	AC90-230	1636-3272	360	5400
64172.1802.01	Yellow	90*2*2	L/N/G	AC90-230	1636-3272	360	14400

